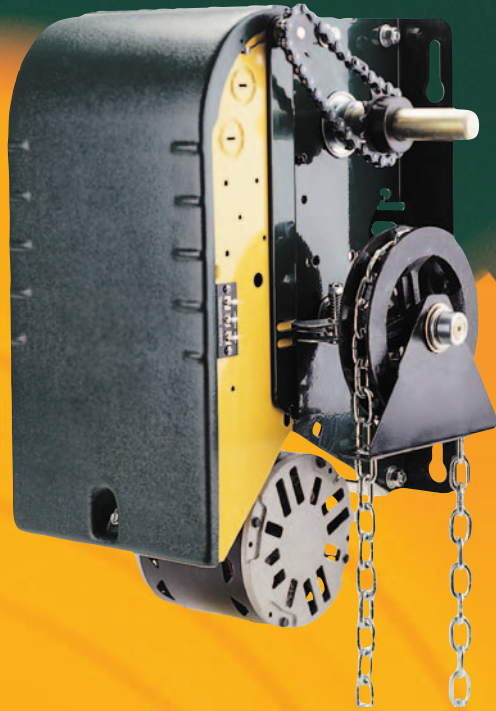


# Specification Sheet

## Opera - MH



- Hoist-a-matic self-engaging chain hoist
- Hinged cover with stable opened position
- Accu-cam one hand limit setting

***Opera-MH, a medium duty jackshaft operator for high & vertical lift sectional doors or small rolling doors and grilles. It can be wall, hood or shelf mounted on either side of the door. It incorporates a self-engaging chain hoist for manual operation.***

**Manaras**  
● Somfy International

## • Construction

Instant reverse single phase 1/2 HP motor with internal automatic reset thermal overload  
 5L V-belt, chain and sprocket reduction  
 #41 chain and sprocket on final drive  
 1" output shaft with 1/4" keyway  
 Operator sprocket: 41B12  
 Output shaft speed: 39 rpm  
 Mechanical brake  
 Ball bearings at all critical points  
 Control box and limit shaft supported by frame  
 Approximate shipping weight: 73 lbs – 33 kg

## 2 Year Warranty

## • Easy Installation and Maintenance

Ergonomic packing  
 Universal mounting  
 Easy access to fixing holes  
 Accu-cam: quick limit setting by single hand operation  
 Control box may be lifted for easy access to mechanical parts  
 Motor removable without affecting limits  
 Hinged cover with stable position  
 Angled terminal strip

## • Main Options

Hoist left mount  
 Delay on reverse  
 Double limits  
 Timer to close  
 Chain spreader

## • Safety Features

Hoist-a-Matic: Self-engaging chain hoist with automatic cut-off (no need for a floor disconnect)  
 Hand chain on right standard  
 Adjustable friction clutch  
 Thermal protection  
 Unique fuse control circuit protection



## • Multi-Function 24V Safety Control Circuit

C2 wiring. B2 control can be set very easily by moving only one wire (see Manaras wiring diagram).

Pre-wired for open override, safety reverse, radio control wiring with external control strip.

## • Operator range and current consumption (Amp.)

Horse Power	115 V 1 Ph
1/2	5.0

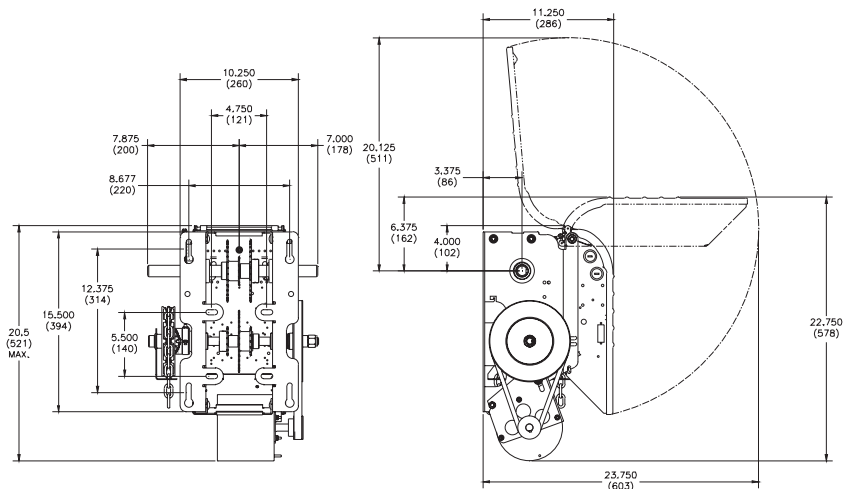
## Motor Selection

Maximum Size of Door in Square Feet

Horse Power	Rolling Doors				Sectional Doors					
	Insulated Steel	16 ga. Steel	Steel Grilles 20 ga. Steel	Alu. Door 22 ga. Steel	Alu. Grilles 24 ga. Steel	Steel 18 ga. ins.	Steel 18 ga. 20 ga. ins.	Wood Steel 20 ga. 22 & 24 ga. ins.	Aluminum Steel 22 & 24 ga.	Fiber Glass
1/2	-	160	200	275	320	120	160	250	275	290

Maximum recommended door height is 14' (4200 mm)

## Dimensions



**Clearance:** Side room required 15" (380mm)